

匯統國際股份有限公司
Huey Tung International Co., Ltd.

產品規格書 Specification

[Model : HT-3070-01 / 2013.1.15 version]



Cara Audio Corporation

No.69, Lane 762, Dingzhong Road, Sanmin District, Kaohsiung City, Taiwan, ROC.


Tel: 886-7-310 5786 / Fax: 886-7-310 0783

E-mail: carawang@hueytung.com.tw / <http://www.hueytung.com.tw>

揚聲器製品規格書

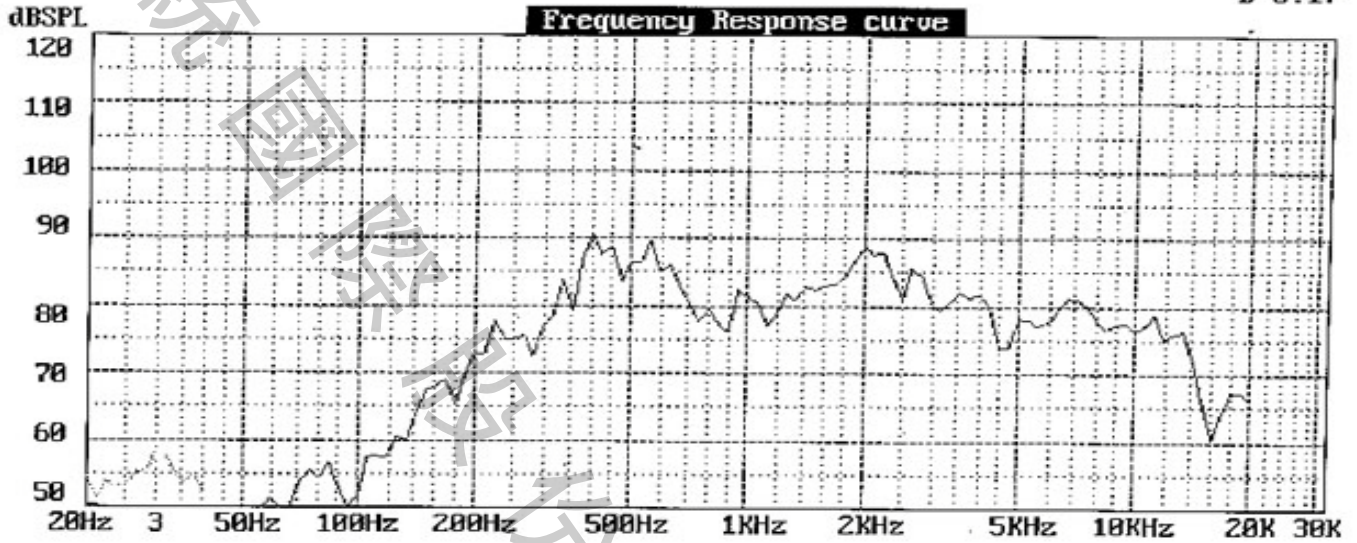
SPEAKER SPECIFICATION

型號 Model Number: HT-3070-01 (1008001)

項目 Items		規格 Specification		
1	公称阻抗 Nominal Impedance	8Ω±5% at 1K Hz 1.0v		
2	最低共振周波数 Lowest Resonance Frequency	430 Hz±20%Hz Without a baffle		
3	实效周波数带域 Effective Frequency Range	F0~14KHz -10dB		
4	出力音压 Output Sound Pressure Level	82dB±3dB 1W/0.5M at (800,1K,2K,3K)Hz AVE.		
5	入力 Input	定格入力 Rated input 5 W	最大入力 Maximum input 10 W	
6	磁束密度 Flux Density	-----±10% GAUSS		
7	异常音试验电压 Buzz & Rattle Test	Must be normal at sine wave 6.32 V		
8	动作试验电压 Operation Test	Must be normal at program source		
9	极性 Polarity	/		
10	磁石尺寸/重量 Magnet Dimension/Weigh	Magnet:12.5*4 N35 Sub Magnet:	/G	
11	连续负荷试验 Life Test	White noise 5 W 8 hours	After the Test, Speaker should be meet the Outside and item 7,8	
12	耐热试验 Heat Resistance	70°C±5°C 30%-35%RH 8Hours and then room temperature 1 hours		
13	耐湿试验 Humidity Resistance	40°C±2°C 90%-95%RH 8Hours and then room temperature 1 hours		
14	耐寒试验 Cold Resistance	-25°C±2°C 24Hours and then room temperature 1 hours		
15	落下试验 Drop Test	1M 75°±2°		
16	绝缘耐压试验 Insulation Resistance	Or more 1MΩ 以上		
17	周波数特性 Frequency Response Curve	参照附图 On Other Drawing		
18	失真率 Distortion	/		
19	各部 材质	Cone Paper	Cloth Edge+Paper cone	
		Voice Coil	Aluminum+SV	
		Cap	Cloth	
20	总重量 Total Weight	38G		
	Size:30*70mm	Approve:	Check:	Design:
	試作發行: 2010.08.31	Arthur	Chen	LIU

Firm: Model: HT-3070 DATE: 08-31-2010 TIME: 10:33:28
 2500Hz Sens. = 01.0dB SPL Fall F.R.: Case DCR: Ω Ω
 Average SPL: 01.3dB SPL fall (600; 800; 1000; 1200Hz) Sweep Speed: 1/12 Oct.

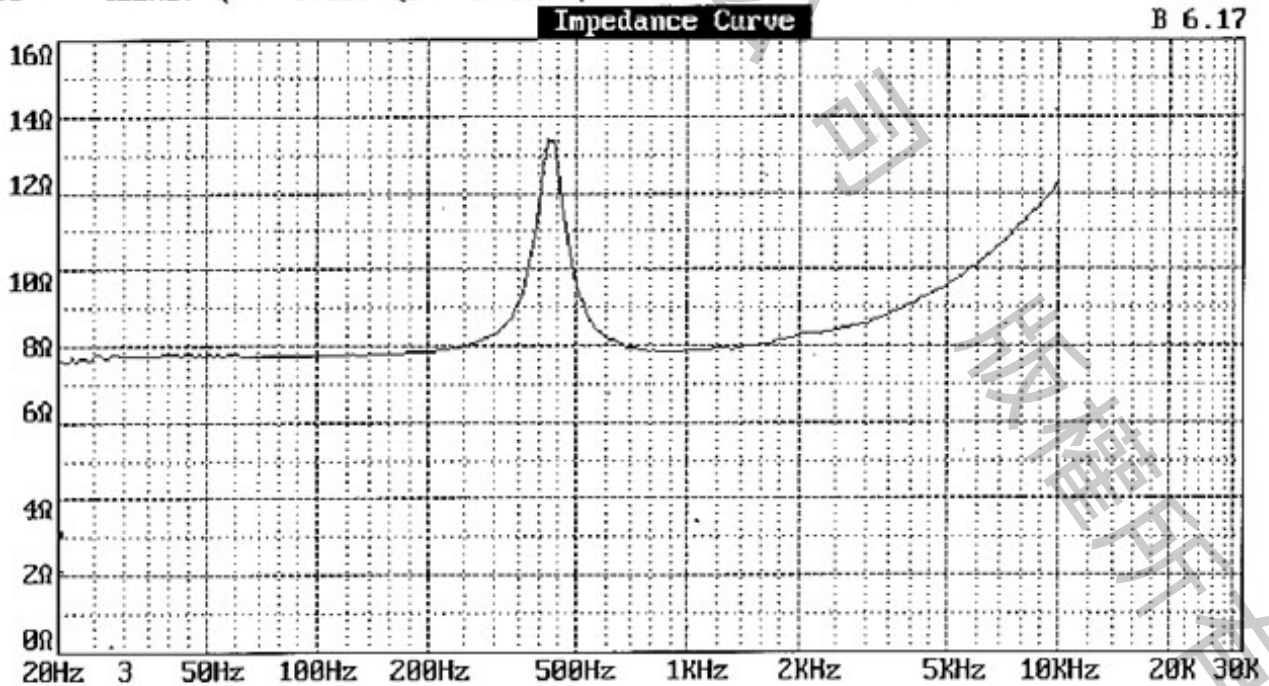
B 6.17

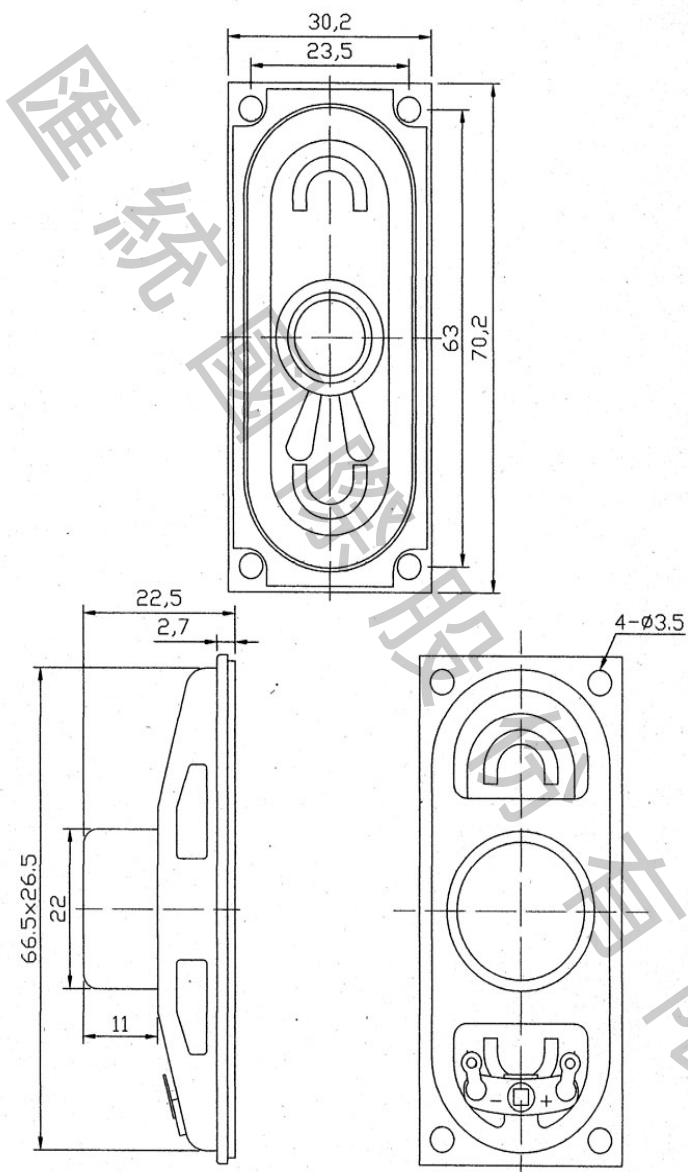


Voltage applied for **F.R.** = 2.830V **Start F.** = 20Hz **Stop F.** = 20000Hz
 Measuring Distance = 0.50M

Firm: Model: HT-3070 DATE: 08-31-2010 TIME: 10:35:11
 ACV = 1.000V ACZ = 7.87 Ω @ 1000Hz.
 Start Freq. = 20Hz Stop Freq. = 10000Hz Sweep Speed: 1/24 Oct.
 Fo = 422Hz; Qm = 5.13; Qe = 6.43; Qt = 2.85; DCR = 7.58 Ω .

B 6.17





Tolerance: 0.5
Unit: mm

